

www.aykom.net

aykom
KOMPOZİT

ÜRÜN KATALOĐU
PRODUCT CATALOG



aykom

KOMPOZİT



info@aykom.net

www.aykom.net

CONTENTS

İÇİNDEKİLER

SKBS S-700	1
S-700L	2
S-700XL	3
S-300	4
S-300S	5
S-2300	6
S-2300W	7
S-2200	8
CES-200	9
IYS-08	10
SHC-250	11
SHC-400	12
D-400	13

NATURALGAS SERVICE BOX

DOĞALGAZ

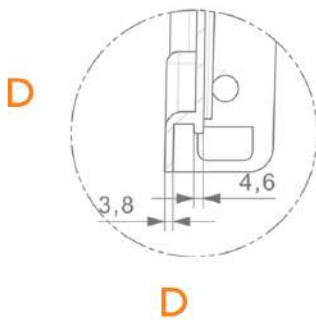
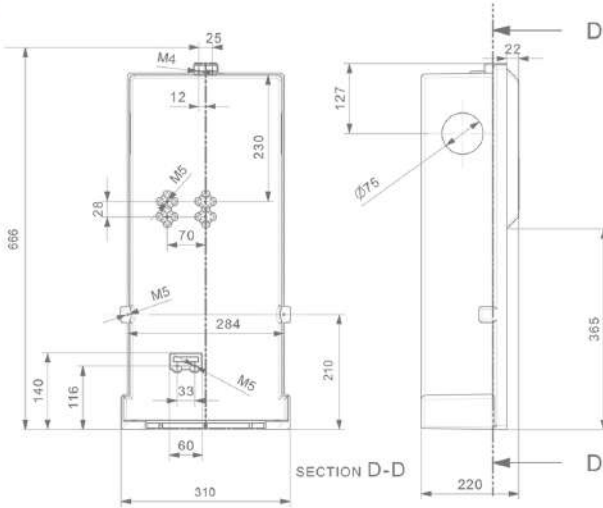
SERVİS KUTUSU

PRODUCT CODE
ÜRÜN KODU
SKBS - S700



+ ÜRÜN TEKNİK BİLGİSİ

//// TECHNICAL INFO

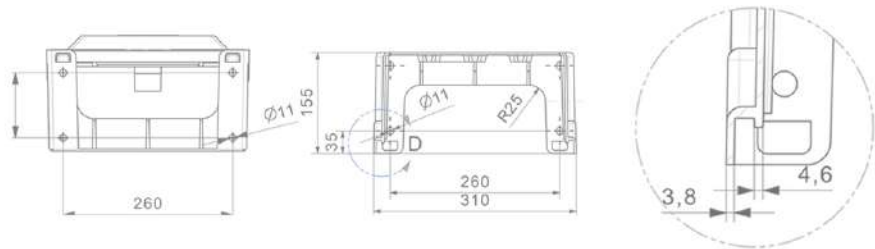
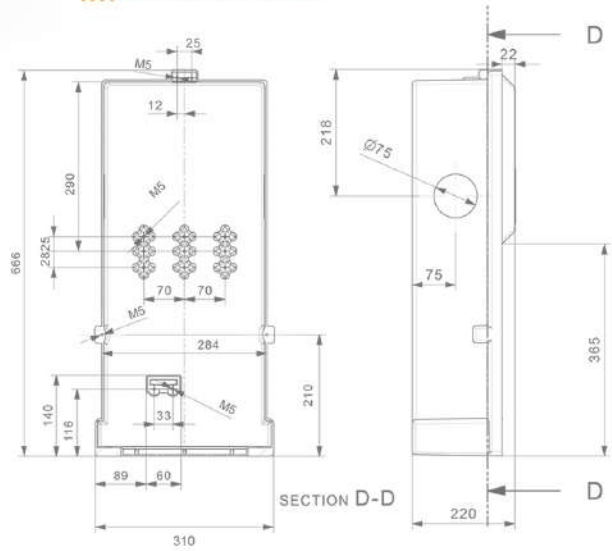
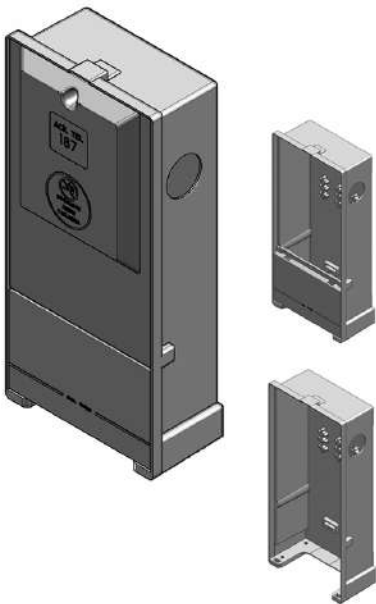


PRODUCT CODE
+ ÜRÜN KODU
S700L



+ ÜRÜN TEKNİK BİLGİSİ

//// TECHNICAL INFO

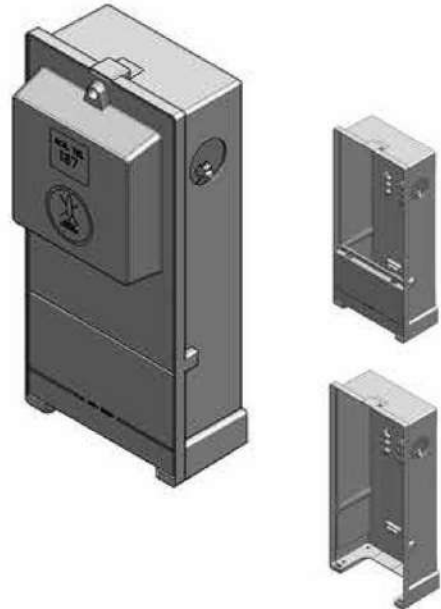
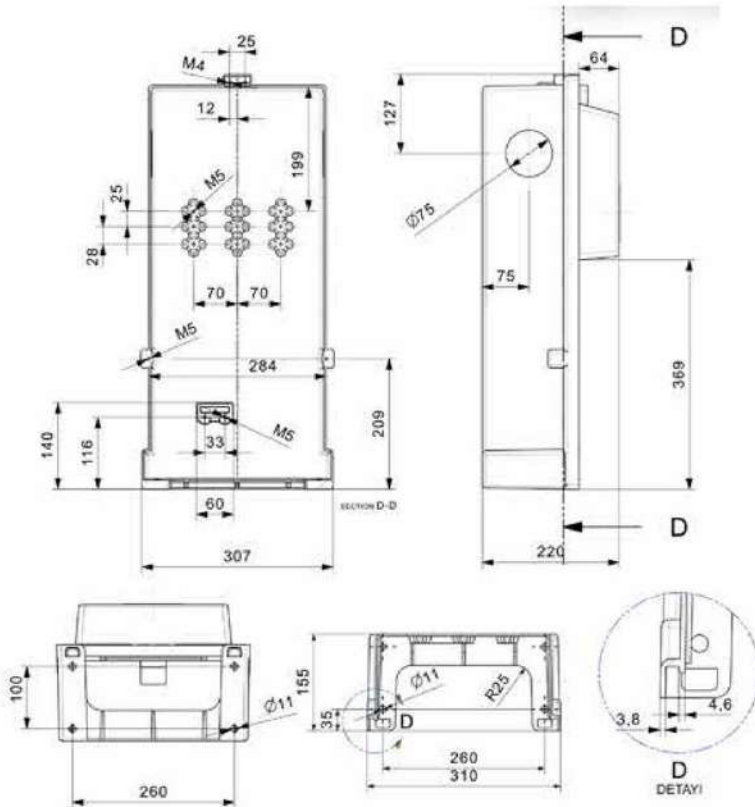


+ PRODUCT CODE
ÜRÜN KODU
S-700XL

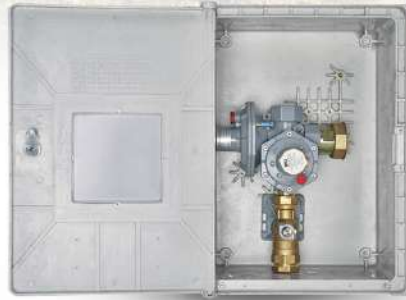


+ ÜRÜN
TEKNİK BİLGİSİ

//// TECHNICAL INFO

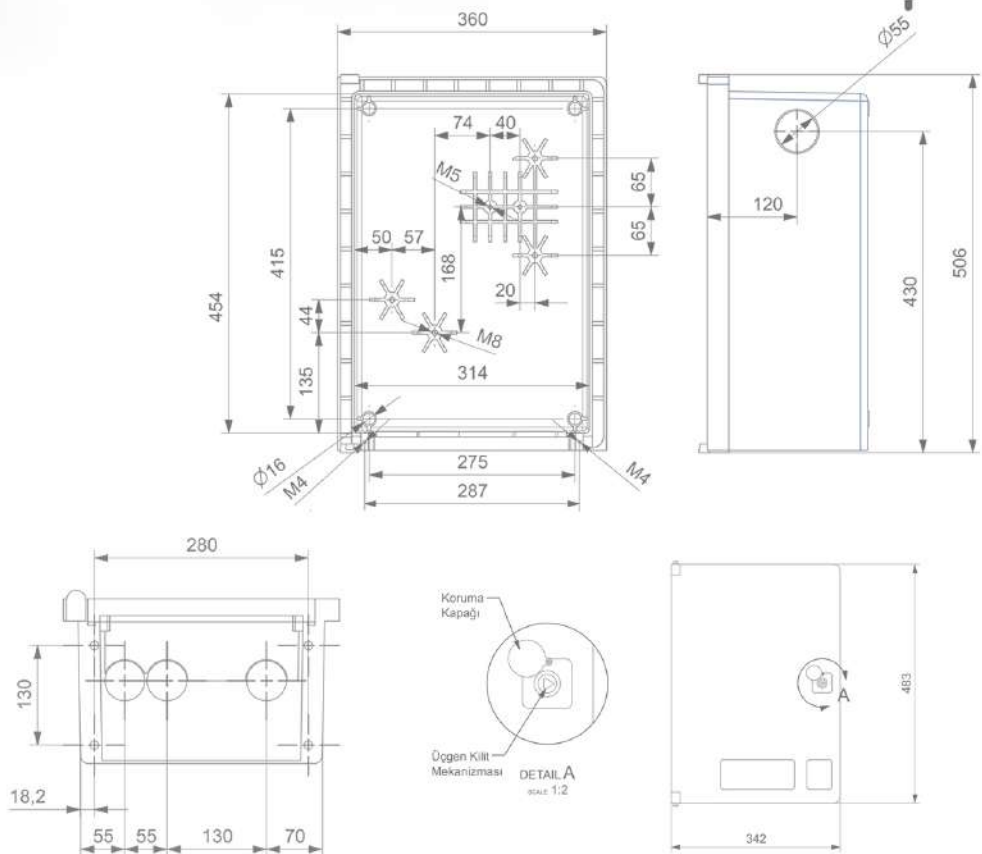
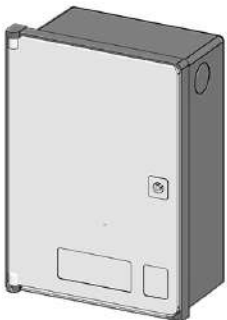
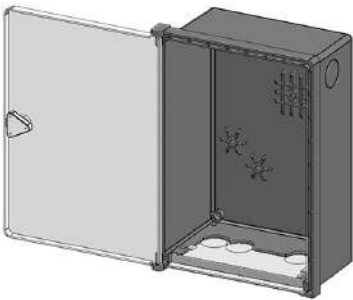


+ PRODUCT CODE
ÜRÜN KODU
S2300



+ ÜRÜN TEKNİK BİLGİSİ

//// TECHNICAL INFO

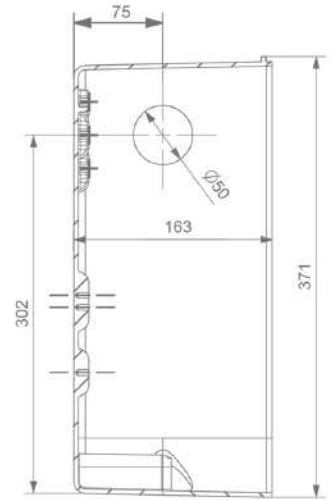
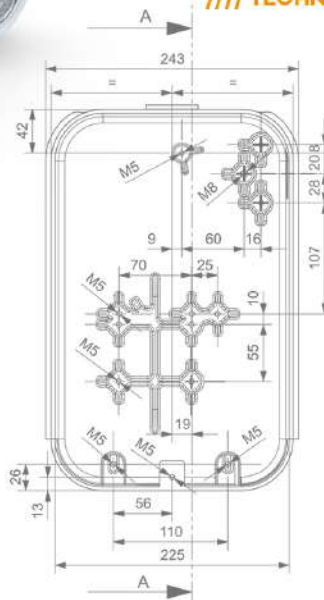
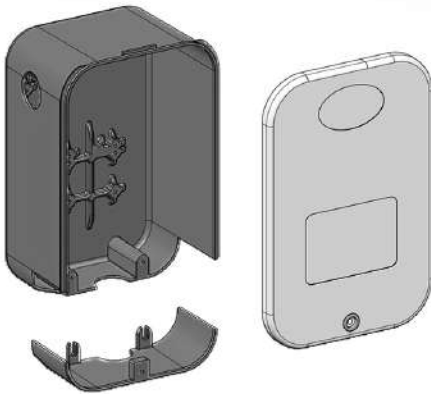


+ PRODUCT CODE
ÜRÜN KODU
S-2200

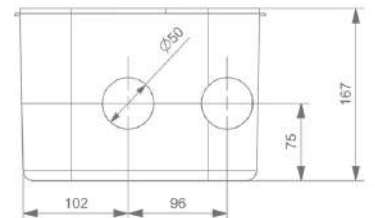
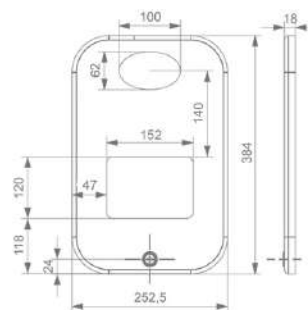


+ ÜRÜN TEKNİK BİLGİSİ

//// TECHNICAL INFO



SECTION A-A

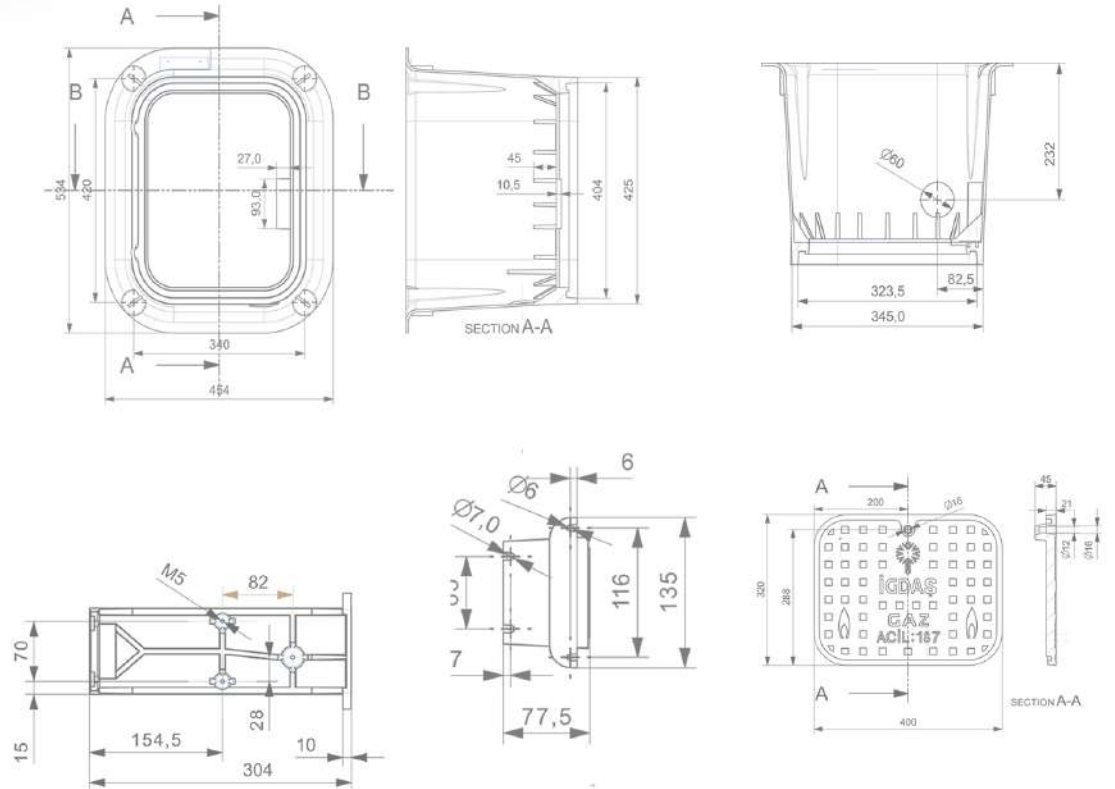


+ PRODUCT CODE
ÜRÜN KODU
IYS-08



+ ÜRÜN TEKNİK BİLGİSİ

//// TECHNICAL INFO



NATURALGAS SERVICE BOX

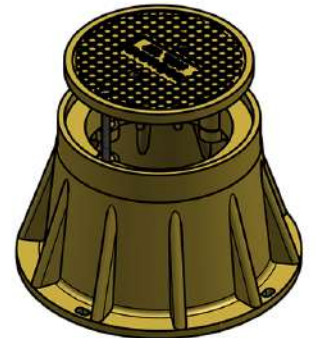
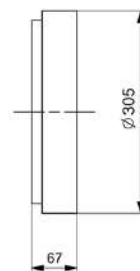
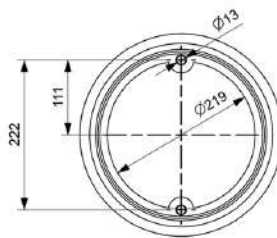
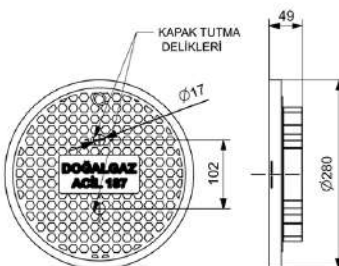
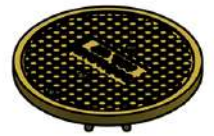
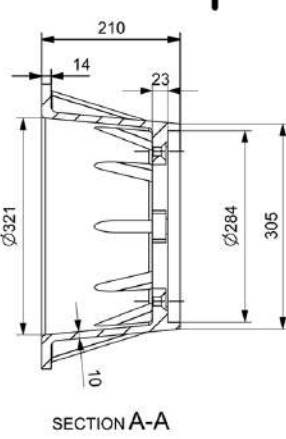
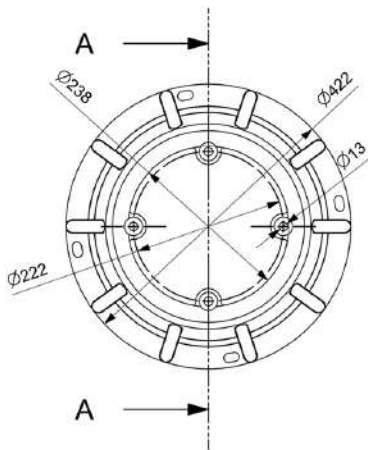
DOĞALGAZ

SERVİS KUTUSU

PRODUCT CODE +
ÜRÜN KODU
SHC-250

+ ÜRÜN TEKNİK BİLGİSİ

//// TECHNICAL INFO



NATURALGAS SERVICE BOX

DOĞALGAZ

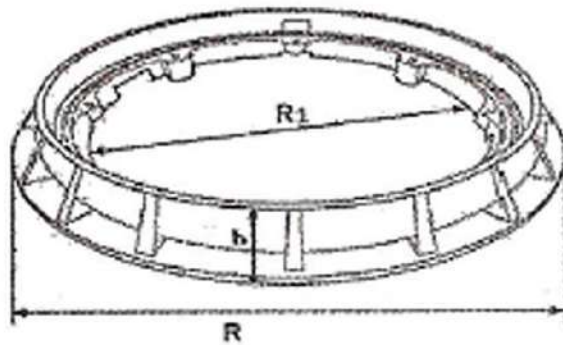
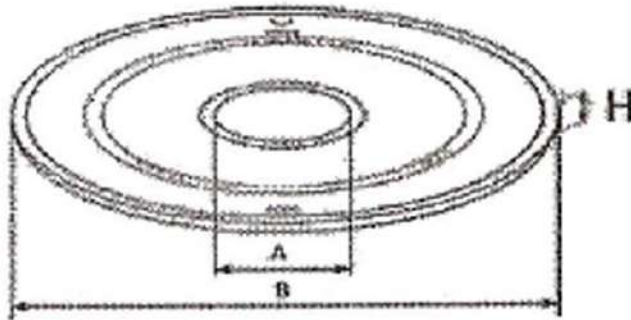
SERVİS KUTUSU

PRODUCT CODE +
ÜRÜN KODU
D-400



+ ÜRÜN TEKNİK BİLGİSİ

//// TECHNICAL INFO

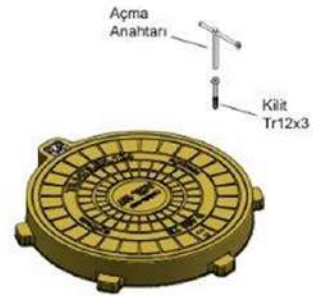
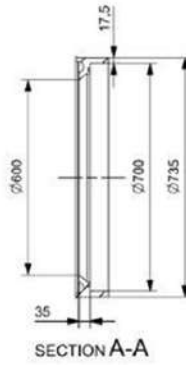
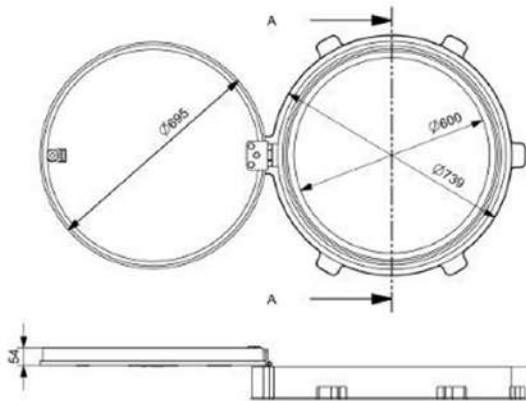
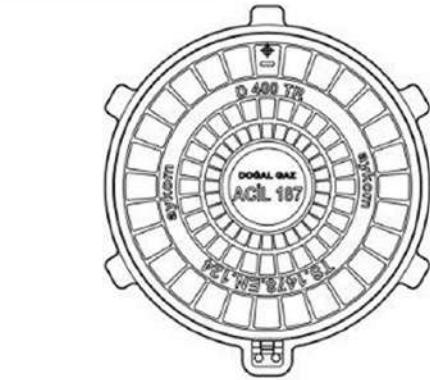


+ PRODUCT CODE
ÜRÜN KODU
Menhollü Mentşeli



+ ÜRÜN TEKNİK BİLGİSİ

//// TECHNICAL INFO



SERTİFİKA * CERTIFICATE * ZERTIFIKAT * СЕРТИФИКАТ



QUALITY MANAGEMENT

AYKOM KOMPOZİT AYDINLATMA
ERHAN AYLANÇ

company,

Çerkeşli O.S.B Mah. İmes-16 Cad. A Apt. No:4 Dilovası / Kocaeli / Türkiye

at address,

PRODUCTION OF BMC AND SMC COMPOSITE METARIALS DESIGN AND PRODUCTION OF INDOOR AND OUTDOOR LUMINAIRES, NATUREL GAS SERVICE BOXES INFRASTRUCTURE EQUIPMENTS DIFFERENT AND DEFENSEINDUSTRY AND DIFFERENT KINDS OF ELECTRICAL EQUIPMENTS MADE OF COMPOSITE MATERIALS CONTRACT MOULDING OF DIFFERENT KINDS OF PARTS MADE OF COMPOSITE METARIALS

at scope,

perform the quality management system,

ISO 9001: 2015

the complete of the standard was determined.

Date First Registered : 22.10.2020
Date Certificate Issued : 21.10.2021
Period of Registration : 3 Yıl / Years
Date Certificate Expires : 20.10.2022
Certificate No : 01.1254202

Approved By: 

By this means certified, with a view to his purpose, subject to verification by an approved body.
The validity of this certificate, subject to successful completion of surveillance audit which will take place at least once a year.

www.jas-anz.org/register

ASB Uluslararası Belgelendirme Gözetim ve Eğitim Hizmetleri Ltd. Şti. ASB International Certification Services, Auditing and Training Services Ltd. Company. Tuzluca Köyü, Saray Modern Keresitçiler San. Silt. 4. Cad. No: 9 K. Kazan - Ankara / TÜRKİYE. Tel: +90 312 815 13 27. Fax: +90 312 815 13 27. e-mail: info@asb.com.tr
Bu sertifikayı sadece ASB'nin yetkili kuruluşları tarafından verilir. Sertifikasyon hizmetleri için www.asbcert.com.tr adresinden iletişime geçebilirsiniz.
The validity of this certificate is based on the fact that the certificate holder follows the instructions of ASB. Certificate status can be checked at www.asbcert.com.tr

TEST SERTİFİKASI / TEST CERTIFICATE



TEST LABORATUVARLARI LTD. ŞTİ.

Number	: C-21-744-R1
Participant	: AYKOM KOMPOZİT ERHAN AYLANÇ
Manufacturer	: AYKOM KOMPOZİT ERHAN AYLANÇ
Definition of Product	: S-2200 NATURAL GAS SERVICE BOX
Technical Datas (Rated Values)	: IK10, IP43, V0
Test Standard	: TS 3033 EN 60529:1997 + A1:2005 + A2:2014 + T1:1997 + T2:2004 + AC:2017+A2/AC:2019, TS EN 60695-2-11:2014, TS EN 60695-11-10: 2013, TS EN 62262:2002
Subject	: TEST RESULT (PASSED)
Applied Tests	: Test Flames – 50 W Horizontal and Vertical Flame Test (V0), Glow Wire Test, Degree of Protection of Assemblies (IP43), Verification of the IK Coding (IK10)
Test Report Number	: 21-744-R1-N1-1 21-744-R1-N1-2 21-744-R1-N1-3
Date of Report	: 12.04.2021
Date of Certificate	: 12.04.2021
Person in Charge of Test	Laboratory Manager
	 
	  
	Sertifika detaylarını karekod ile kontrol edebilirsiniz. You can check the certificate details via QR code.



www.lvt.com.tr



FRT.88 / Rev01 / 1019

Saray Modern Keresitçiler San. Silt. 4. Cad. No: 9 K. Kazan - Ankara - TÜRKİYE
Tel: +90 312 815 13 25 - 26 • Fax: +90 312 815 13 27 • e-mail: lvt@lvt.com.tr

TEST SERTİFİKASI / TEST CERTIFICATE



TEST LABORATUVARLARI LTD. ŞTİ.

Number	: C-21-744-R1
Participant	: AYKOM KOMPOZİT ERHAN AYLANÇ
Manufacturer	: AYKOM KOMPOZİT ERHAN AYLANÇ
Definition of Product	: S-2300W NATURAL GAS SERVICE BOX
Technical Datas (Rated Values)	: IK10, IP43, V0
Test Standard	: TS 3033 EN 60529:1997 + A1:2005 + A2:2014 + T1:1997 + T2:2004 + AC:2017+A2/AC:2019, TS EN 60695-2-11:2014, TS EN 60695-11-10: 2013, TS EN 62262:2002
Subject	: TEST RESULT (PASSED)
Applied Tests	: Test Flames – 50 W Horizontal and Vertical Flame Test (V0), Glow Wire Test, Degree of Protection of Assemblies (IP43), Verification of the IK Coding (IK10)
Test Report Number	: 21-744-R1-N1-1 21-744-R1-N1-2 21-744-R1-N1-3
Date of Report	: 12.04.2021
Date of Certificate	: 12.04.2021
Person in Charge of Test	Laboratory Manager
	 
	  
	Sertifika detaylarını karekod ile kontrol edebilirsiniz. You can check the certificate details via QR code.



www.lvt.com.tr



FRT.88 / Rev01 / 1019

Saray Modern Keresitçiler San. Silt. 4. Cad. No: 9 K. Kazan - Ankara - TÜRKİYE
Tel: +90 312 815 13 25 - 26 • Fax: +90 312 815 13 27 • e-mail: lvt@lvt.com.tr



İletişim
+90(262) 502 40 31
+90(537) 363 98 63

Çerkeşli OSB Mah. İmes-16 Cad. No : 4
Dilovası / KOCAELİ



www.aykom.net - info@aykom.net

